

# Basic product description

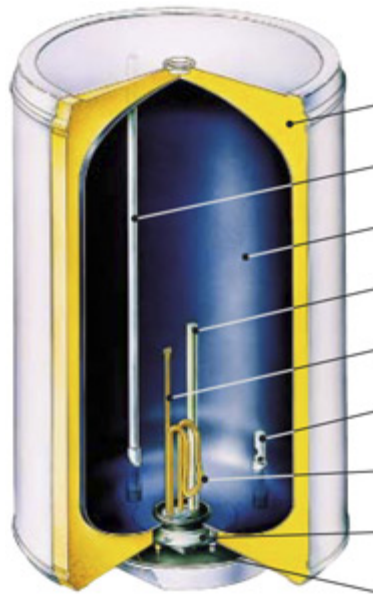
Electric water heater ATLANTIC is supplied in these constructional design:

## Small-volume boilers:

- over-sink models  
– ATLANTIC 10 L, 50 L
- under-sink models  
– ATLANTIC 10 LU

## Large-volume boilers:

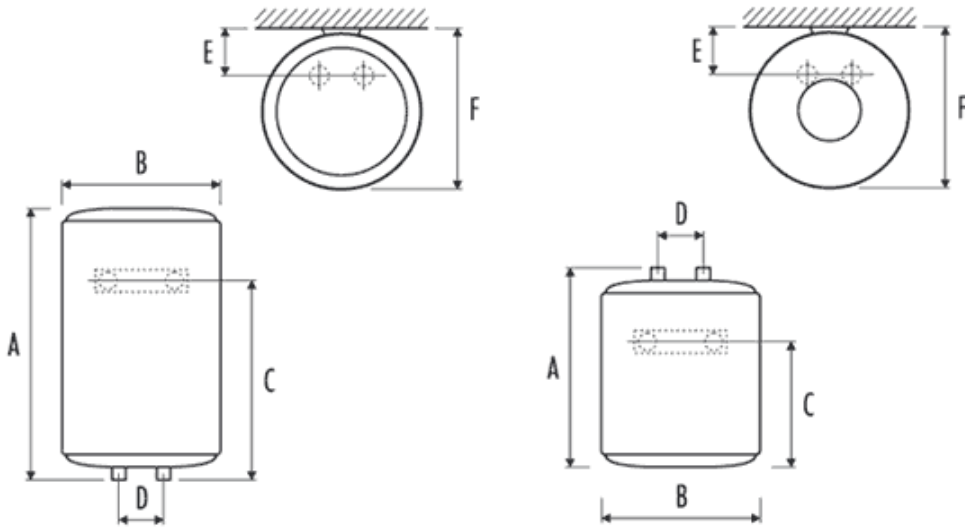
- vertical mounting models  
– ATLANTIC 80 L, 150 L



- insulation no CFC foam injected
- hot water outlet tube
- high quartz density enamelled tank
  - magnesium anode
  - thermostat tube
- inlet cold water jet diffuser
- direct heating element
- dismountable flange
- double service thermostat

## Small-volume boilers ATLANTIC

“over-sink” (10 l and 50 l) “under-sink” (10 l)

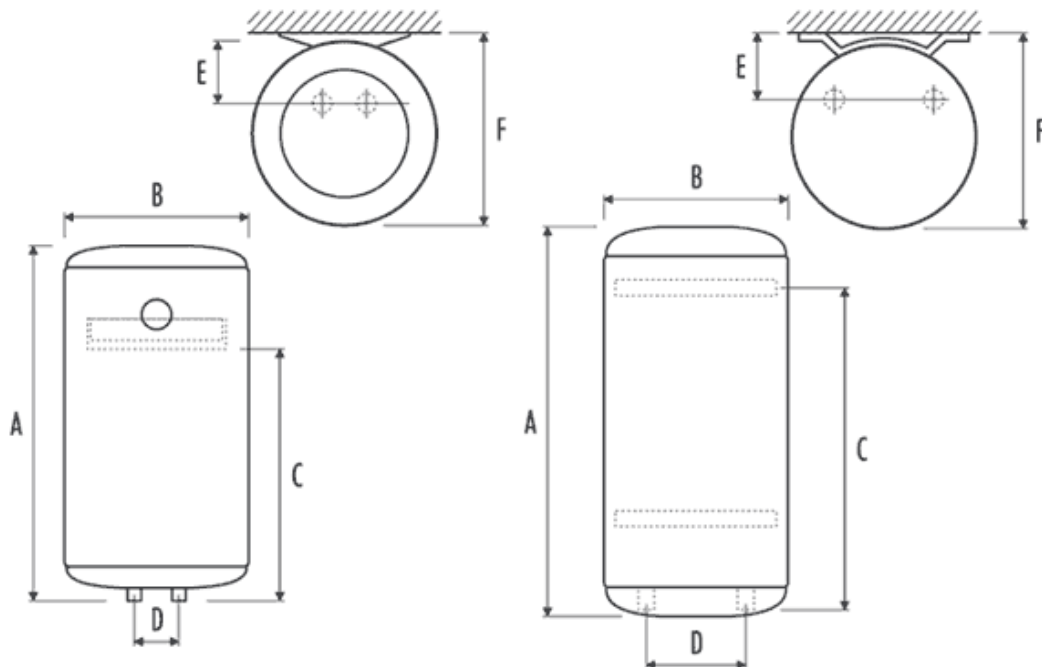


### Small-volume boilers ATLANTIC

Typ	A (mm)	B (mm)	C (mm)	D (mm)	E (mm)	F (mm)
ATL 10 L	456	255	287	100	64	262
ATL 10 LU	456	255	218	100	64	262
ATL 50 L	559	433	380	100	165	451

### Large-volume boilers ATLANTIC

80 l and 150 l



### Large-volume boilers ATLANTIC

Typ	A (mm)	B (mm)	C (mm)	D (mm)	E (mm)	F (mm)
ATL 80 L	791	433	590	100	165	451
ATL 150 L	1241	505	1048	230	175	520